

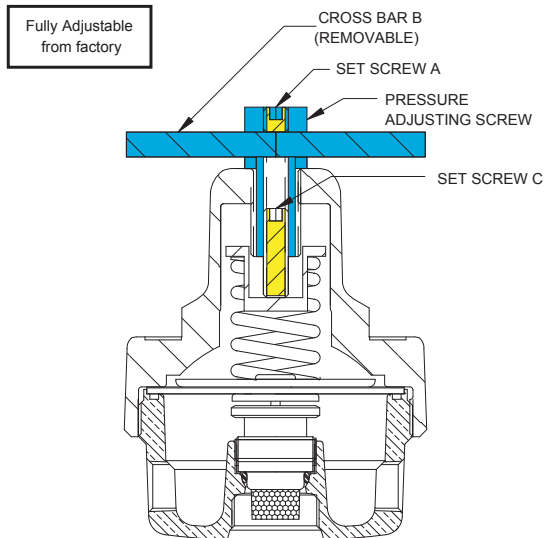
# Inert Gas Guard Regulators (IGG)

4 Operation Modes Available.



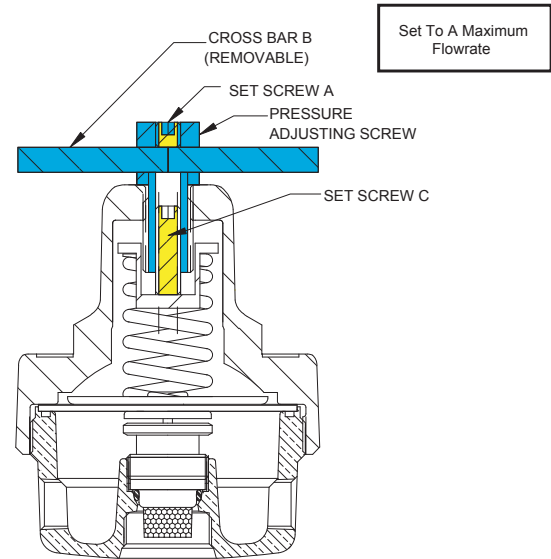
The Harris Products Group  
 A Lincoln Electric Company  
 2345 Murphy Blvd., Gainesville GA. 30504  
 Phone: 1.800.241.0804 FAX: 770.535.0544  
 www.harrisproductsgroup.com

## 1. Fully Adjustable (as shipped)



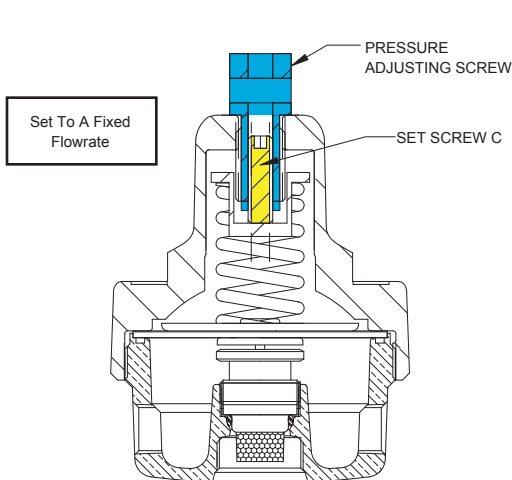
As shipped from factory, the unit is fully adjustable from zero to the maximum flow rate.

## 2. Fixed Maximum



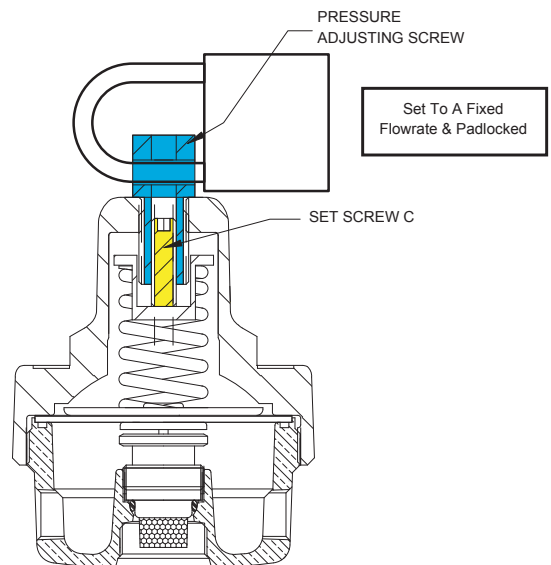
1. Tighten adjusting screw against bonnet.
2. Remove set screw A and cross bar B.
3. With gas flowing, adjust set screw C to the desired maximum flow. Flow rate is adjustable from zero to fixed maximum.
4. Replace cross bar B and set screw C.

## 3. Fixed



1. Tighten adjusting screw against bonnet.
2. Remove set screw A and cross bar B.
3. With gas flowing, adjust set screw C to the desired flow. Flow rate is not fully adjustable by the operator once preset. Flow rate, however, can be reduced or turned off completely for service or safety.

## 4. Fixed Locked



1. Tighten adjusting screw against bonnet.
2. Remove set screw A and cross bar B.
3. With gas flowing, adjust set screw C to the desired flow rate. Flow rate is not fully adjustable by the operator once pre-set. Flow rate, however, can be reduced or turned off completely for service or safety.
4. Install customer supplied padlock.